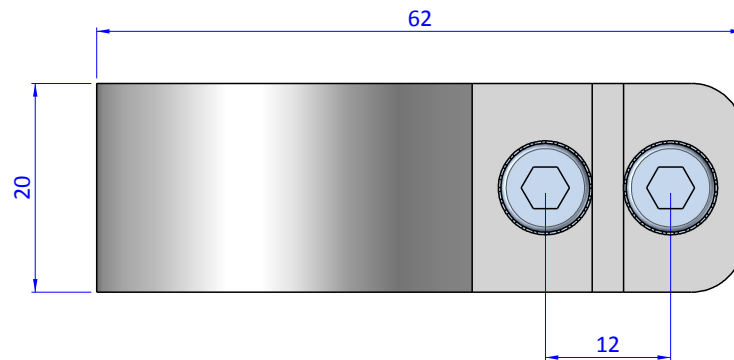
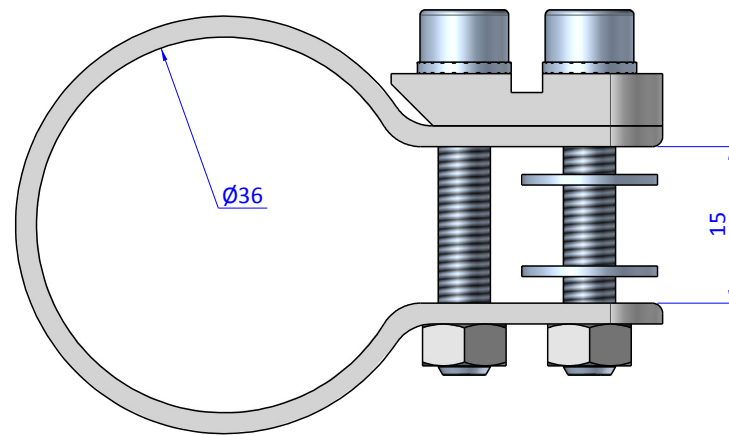
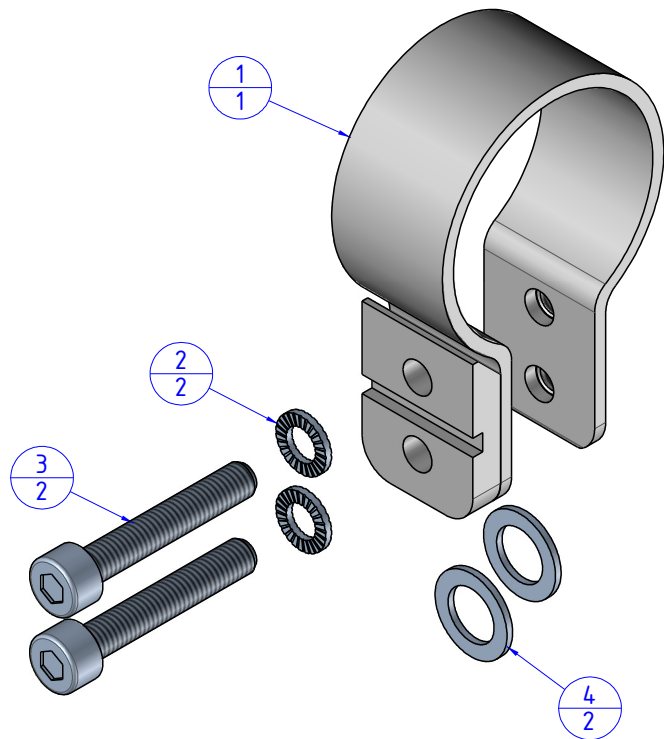


Item	Name	Q.ty
1	04.10.006.02	1
2	R.5.SCH	2
3	V.TCE5x30	2
4	R.8.SCH	2



THE PROPERTY OF THE DRAWING IS ESTABLISHED BY LAW. IT IS FORBIDDEN TO PRODUCE OR SHOW IT TO THIRD PARTY, WITHOUT A WRITTEN AGREEMENT.

Format A3

UNI 936-76

		DESIGNED FROM		REVIEW
		FPS Automation		A
GENERAL TOLERANCE		DATE	WEIGHT	
UNI - ISO 2768		16/05/2019	0,078kg	
CLASSE f		CODE		
		CA.04.10.006		CA.04.10.006